

CANPAS
FENCES - GATES - GRATINGS

Easy to install,
simply,
a child's play



The idea

CANPAS knows the problem found on site to deliver and assemble the products made in the workshop. Many times the additional costs make rise the price enormously. What's more, cut, adapt, weld the product are usually works for a smith.

Build fences, gates, wickets and satisfy the customer is not easy!

CANPAS always careful about this problems, has put itself the target to create a range of product that can be used and assembled by the company or by the beginner, without necessarily the help of the smith.



A few necessary tools: hammer, drill, wrench 17 and grinder.

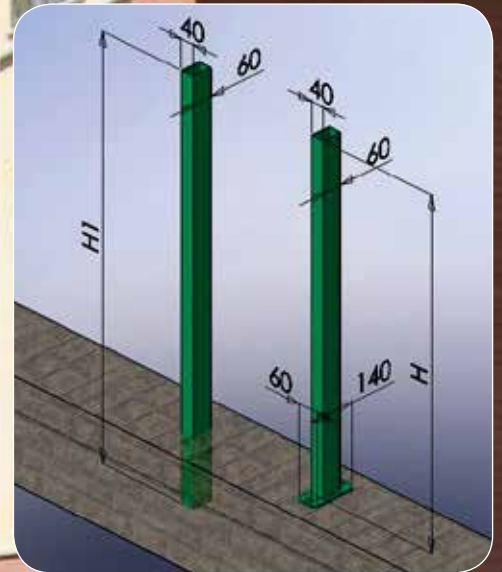
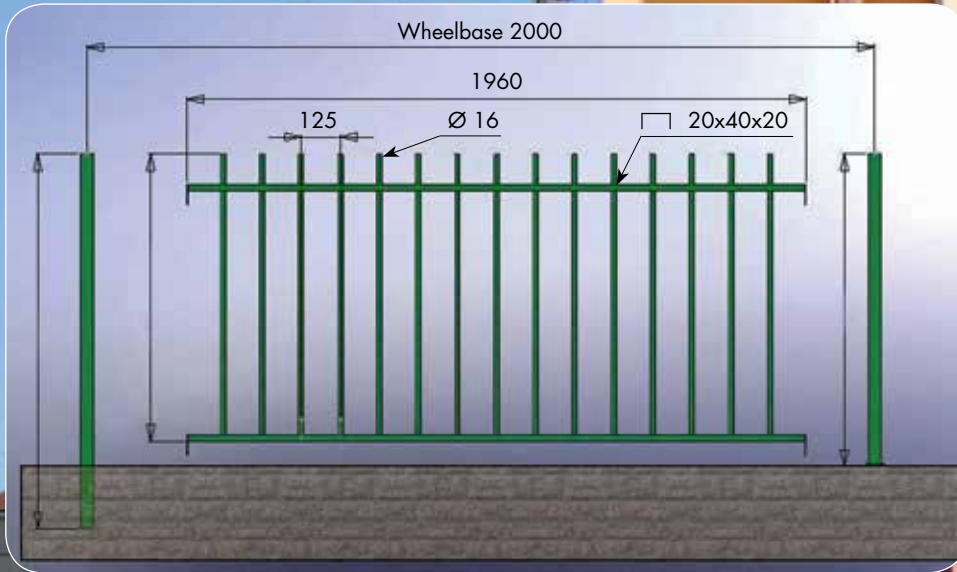
In short, the simplicity allows everybody to use the fences produced by CANPAS. Special pieces and corners aren't a problem, thanks to specific adapters studied for any requests.

The basic idea allows CANPAS to rest in traditional, but at the same time to build quality product to satisfy both the most exigent designer, both the final customer optimizing costs without ever falling into banality.



The idea





Rutundus 16

The fence Rutundus, without ornaments, is thought to be use in high-surface buildings. It combines strength, lightness, and pleasing visual impact, is usually used galvanised and painted in a wide range of colours. The Rutundus has the particularity of being able to bring the forms of building without being invasive. Is available raw / galvanised / galvanised and painted.



Panel size hxl (mm)	Pole size (mm)	
	Dowel	Cement
920x1980	1000	1200
1120x1980	1200	1400
1420x1980	1500	1700

Rutundus 16



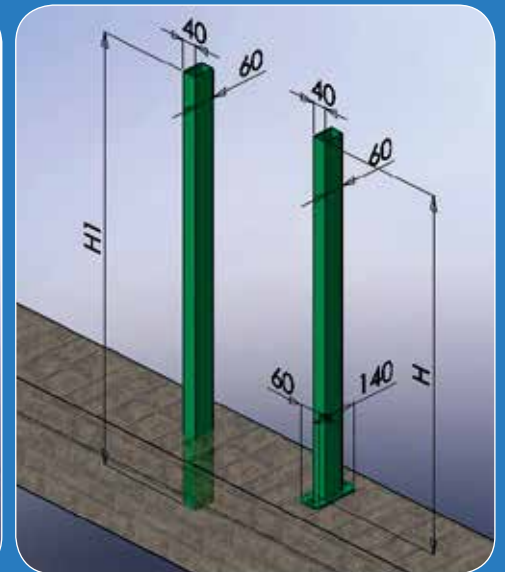
CANPAS

Declivius

The fence Declivius, with its 18 RAL colours, gives a perfect match between structure and delimited area.

With its simple linearity enhance the planning light and shade, and the colour match make it unique. The building quality is appreciated in the long period, because the treatment which is processed the material give the certain of long duration, without the need of maintenance intervention.





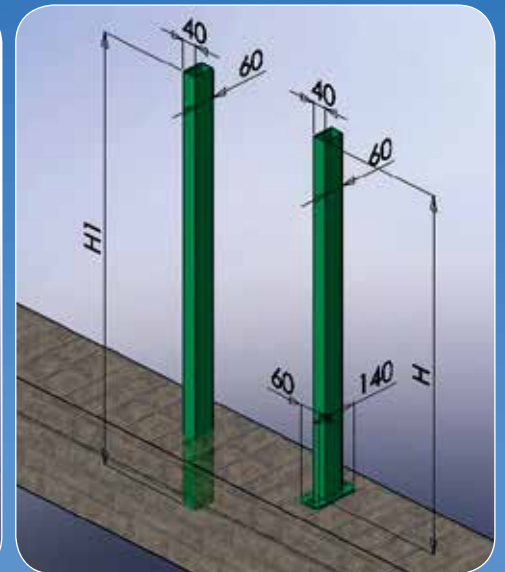
Panel size hxl (mm)	Pole size (mm)	
	Dowel	Cement
920x1980	1000	1200
1120x1980	1200	1400
1420x1980	1500	1700



Rutundus 12

It's the traditional fence without ornaments, ideal for any request that need strength, simplicity and low price. Is available raw / galvanized / galvanized and painted.





Panel size hxl (mm)	Pole size (mm)	
	Dowel	Cement
920x1980	1000	1200
1120x1980	1200	1400



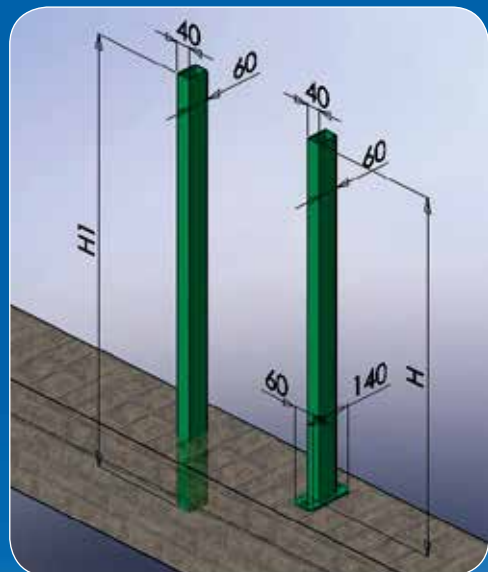
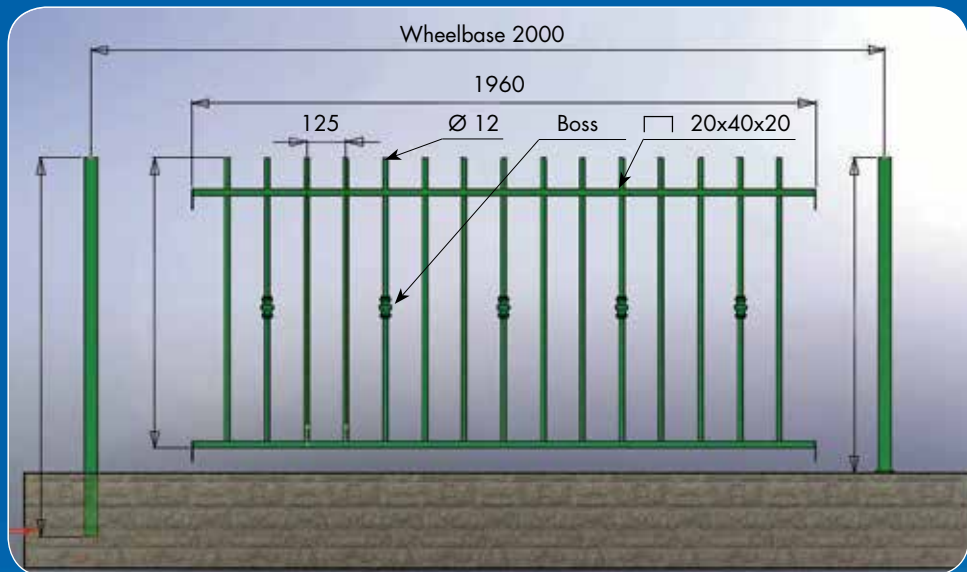
Rutundus 12



Gimminus

The Gimminus respects the traditional style with its structure round and stud, the hot-galvanization treatment give to the fences an elegant look . To give an extra finish and almost unlimited duration, it may be painted (on galvanized) with powder polyester paint for external.





Panel size hxl (mm)	Pole size (mm)	
	Dowel	Cement
920x1980	1000	1200
1120x1980	1200	1400





Accessories

To fix the problem founded during the assembly of the fences, especially with bends, corners and over-size panel, CANPAS has developed and patented some accessories which use further simplify the operation optimizing time and costs.



Accessories



CANPAS



Monobloc gates

Monobloc gates have practical features that allow an high-cost savings and guaranteeing unparalleled functionality. CANPAS builds self-supporting structures without imposing sizes, following the specifics need of the building site. The preparation of the digging, the support plane, installation and plumbing are made in short time assuring with security the operative functionality.



Carriage gates

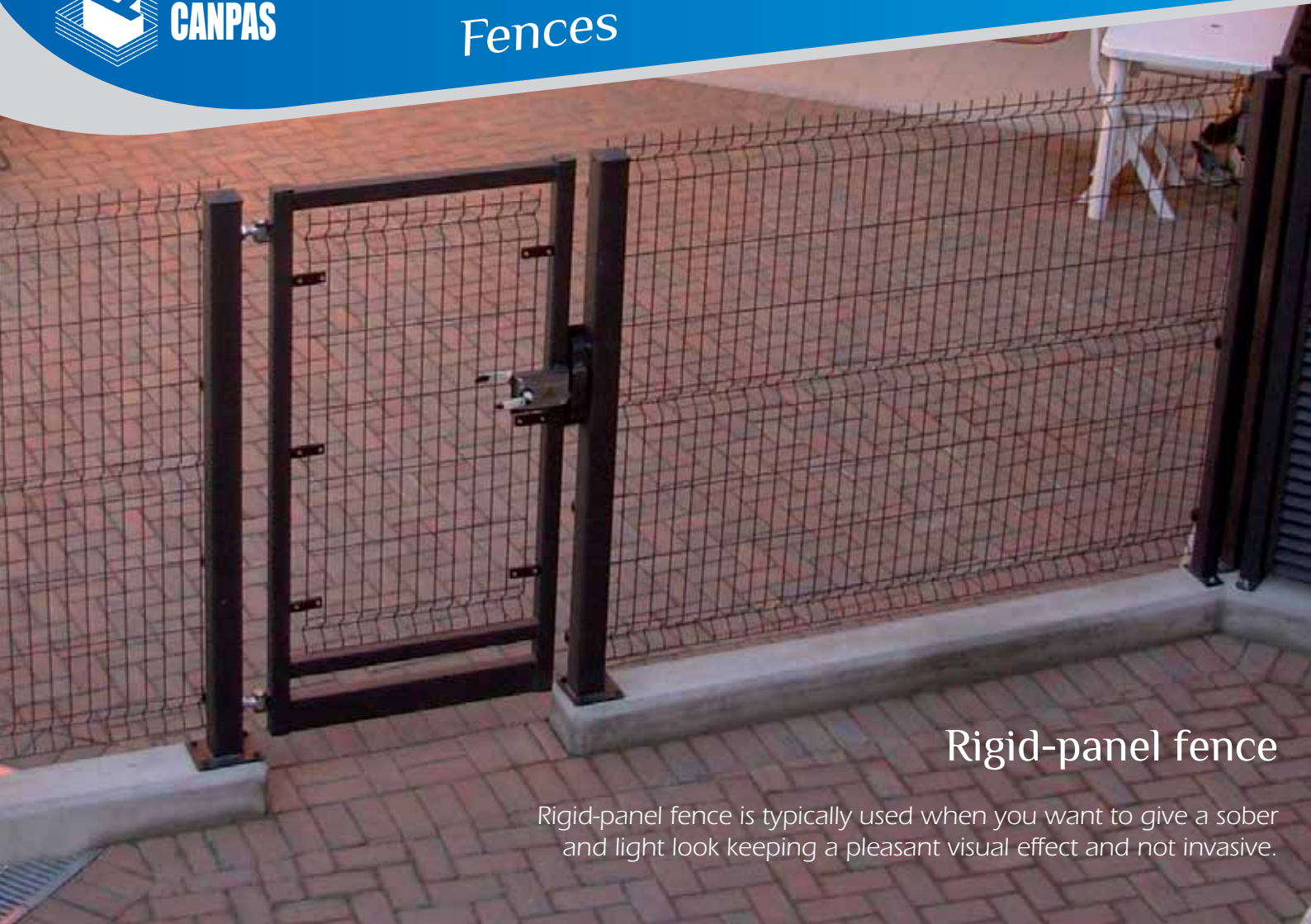
Carriage gates produced by CANPAS guarantee the same functional characteristics of the others products, coming up to 12 metres with galvanization and painting following the specific of the customer.



Standard pedestrian gates

Pedestrian gates are designed and built by CANPAS following high-quality standard, to offer a product extremely strong and pleasing at the same time.





Rigid-panel fence

Rigid-panel fence is typically used when you want to give a sober and light look keeping a pleasant visual effect and not invasive.





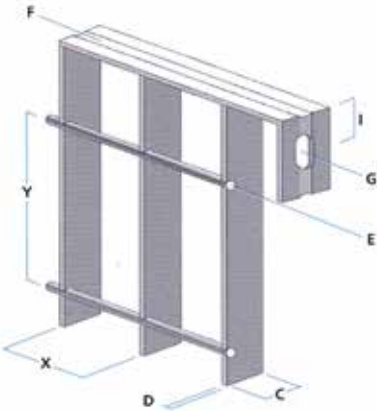
Fences



CANPAS

Electro-welded fence Available link

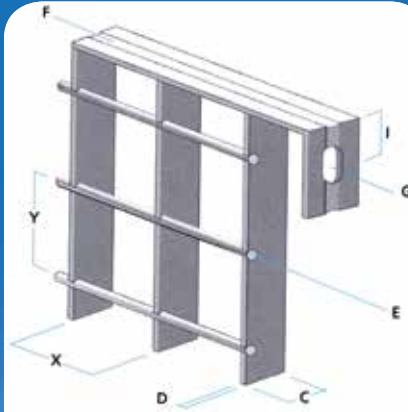
Link 62x132



LEGEND:

	25x2	25x3
X	62 mm	62 mm
Y	132 mm	132 mm
C	25 mm	25 mm
D	2 mm	3 mm
E	5 Ø	5 Ø
F	25x4 mm	25x4 mm
G	22x11 mm	22x11 mm
I	30 mm	30 mm

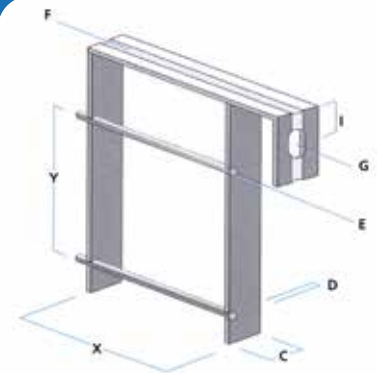
Link 62x66



LEGEND:

	25x2	25x3
X	62 mm	62 mm
Y	66 mm	66 mm
C	25 mm	25 mm
D	2 mm	3 mm
E	5 Ø	5 Ø
F	25x4 mm	25x4 mm
G	22x11 mm	22x11 mm
I	30 mm	30 mm

Link 124x132



LEGEND: 25x3

X	124 mm
Y	132 mm
C	25 mm
D	3 mm
E	5 Ø
F	25x4 mm
G	22x11 mm
I	30 mm



Panel size hxl (mm)	Pole size (mm)	
	Dowel	Cement
930x1992	1000	1200
1196x1992	1260	1500
1330x1992	1400	1600
1460x1992	1528	1800
1720x1992	1800	2000
1988x1992	2010	2400

RAL colour list

RAL 6005

Moss green

RAL 7037

Powder gray

RAL 8017

Chocolate brown

RAL 3000

Fire red

RAL 9010

Pure White

RAL 5010

Gentian blue

RAL 9005

Intense black

Micaceous black

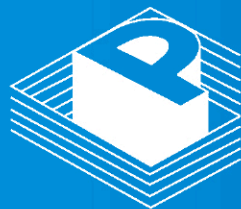
Other colours are available on request.

Attention, the representation of RAL colours shown here it's approximate.
For an higher reliability of colours, we suggest to refer an original RAL colours list.



Colours





CANPAS

FENCES - GATES - GRATINGS

CANPAS srl

Strada Volpiano 178
10040 Leinì (To) - ITALY
(+39) 011.9350632 011.9352300
(+39) 011.9350632
info@canpas.eu
www.canpas.it